



Airtech AC Series vacuum boosters are positive displacement, roots-type blowers intended for use in conjunction with a mechanical backing pump. The AC booster pumps have a simple weighted bypass design that allows start-up from atmosphere.

The design has the following advantages:

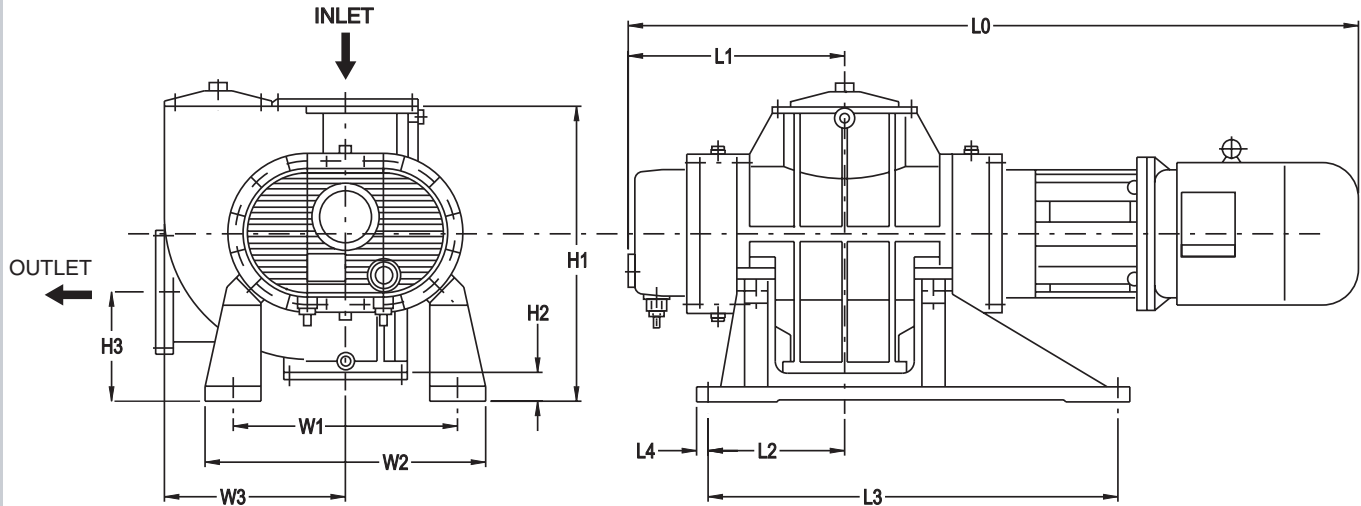
- Pumpdown times cut by up to 50%
- Reduced capital and operating costs
- No pressure sensors, special drives or leaking seals.
- Can operate continuously at all pressures when used with a backing pump.

The bypass design allows the booster to be started at the same time as the backing pump (at atmospheric pressure) as it prevents motor overload. The AC booster pump therefore assists the pumping process from the start of pumpdown.

Features:

- Magnetic Drive Coupling provides positive seal from shaft leakage
- Vertical flow self draining in all models
- Weighted bypass ensures simple, trouble-free cut-in
- Available for applications where oxygen or other reactive gases are present
- Quiet, vibration free operation
- Simple installation, can be mounted directly on backing pump.
- Integral oil cooler on largest models for tough applications

Dimensions: (inches)



Model	L0	L1	L2	L3	L4	H1	H2	H3	W1	W2	W3	INLET (NPT)	OUTLET (NPT)
AC500	36.6	10.4	7.68	22.8	.79	18.7	3.54	7.68	12.6	16.1	9.64	3"	3"
AC1200	43.3	10.8	10.8	29.1	.79	20.7	3.54	8.64	12.6	16.1	11.22	4"	4"
AC2600	53.1	14.8	10.9	29.9	1.08	26.5	2.75	9.25	18.9	23.5	14.76	6"	4"

AC Series Data

Model	AC 500	AC 1200	AC 2600
Displacement (CFM)	380	765	1524
Motor (HP/kW)	3/2.6	6/4.4	12.5/9.0
Speed @60Hz	3600	3600	3600
Backing Pump	L250	L250/400/630	L400/630
Maximum Ambient Temperature (°F)	40-104F	40-104F	40-104F
Oil Capacity	2.8	2.8	7.5
Cooling Water (When required by application)	-	-	1.2 gpm