

Applications:

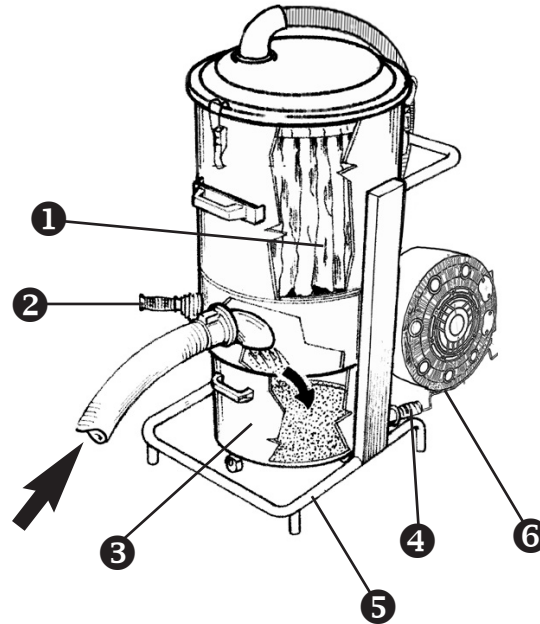
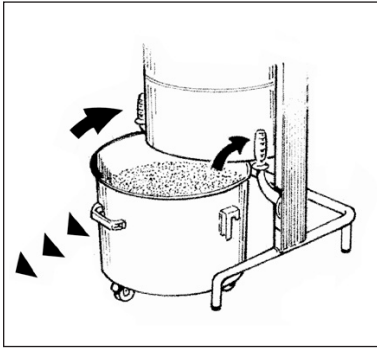
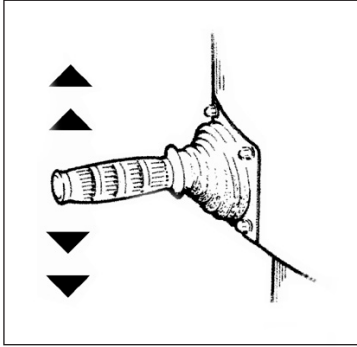
- Heavy-Duty Cleanup for Machine Shops, Metal Fabrication and Semiconductor Manufacturing
- Ideal for Food Processing, Routing, Printing Industry and Textile Mills
- Central Vac Systems
- Wet or Dry General Industrial Cleanup Applications
- Construction Site and Environmental clean-up operations.



Features:

- Portable design with 3 Phase TEFC Induction Motor
- Dual Filtration with Cyclone Pre-tank
- Polyester Fabric Filters with Shaker
- Optional base with casters
- Easy Removal of Dust Bucket
- HEPA Filtration Available on All Models
- Magnetic Starters Available on All Models
- Heavy Duty Abrasion Resistant Power Cords for Portable Operation

Operation principle:



Legend:

- ① Pocket Filter
- ② External Filter Shaker
- ③ Removable Dust Bucket
- ④ Lever to release container
- ⑤ Sub Frame
- ⑥ Vacuum Blower

Specifications:

Model	SF50	SF75	SF160
Input Voltage	3-60-230/460	3-60-230/460	3-60-230/460
Power Consumption	5.0 Hp	5.0 Hp	8.5 Hp
Amperage	12/6	12/6	24/12
Max Air Flow	240 CFM/300 CFM	240 CFM/300 CFM	370 CFM/490 CFM
Max Static Pressure	6.5" Hg.	6.5" Hg.	9.3" Hg.
Filter Area	3100 in ²	3100 in ²	8600 in ²
Dust Capacity	13 gal.	20 gal.	42 gal.
Noise Level [dba]	75 dba	75 dba	78 dba
Hose Inlet Diameter	2"	2"	2.5"
Size W x L x H	20" x 48" x 54"	24" x 54" x 70"	30" x 60" x 84"
Weight	175 lbs.	195 lbs.	450 lbs.